

Pressure Gauges / Liquid Filled Pressure Gauges / CL. 1.0 / Ø 160 mm

CONSTRUCTIVE PROPERTIES

	STANDARD	OPTIONAL
Mounting Type	Bottom Connection	See Technical Drawing
Scale Unit	bar/psi	bar psi kg/cm ²
Scale Range (PN)	0/0,6 0/1 0/1,6 0/2,5 0/4 0/6 0/10 0/16 0/25 0/40 0/60 0/100 0/160 0/250 0 - 315 0/400 0/600	
Vacuum Scale Range	-1 / 0 -1 / +0,6 -1 / +1,5 -1 / +3 -1 / +5 -1 / +9 -1 / +15 -1 / +24	
Case	Stainless Steel AISI-304	Stainless Steel AISI-316L
Bezel	Stainless Steel AISI-304	Stainless Steel AISI-316L
Window	Safety Glass	-
Movement	Brass	Stainless Steel AISI-304
Wetted Parts	Copper Alloy	Stainless Steel AISI-316L
Connection	G 1/2" B	1/2" NPT
Dial	Aluminum	-
Pointer	Aluminum	-
Welding	Soldering	Special Welding Hard Soldering
Filling Liquid	Glycerine	Silicon Oil

USAGE PROPERTIES

Fluid Temperature	Maximum + 60 °C	Maximum + 120 °C
Ambient Temperature	- 20 ... + 60 °C	-
Operating Pressure (max.)	Must not exceed full scale.	
Over Pressure Limit	F.S. x 1,3	-
Accuracy Class	CL 1.0	CL 0.5
Protection Rate	IP 65	IP 67
Storage Temperature	-40 ... +70 °C	-
Conformity	EN 837 - 1	ATEX 94/9/EC
Mechanical Shock Test Load	15g	-
Mechanical Vibration Test	10 Hz ile 150 Hz -1 oktav/dk. 2s / 3 eksende	

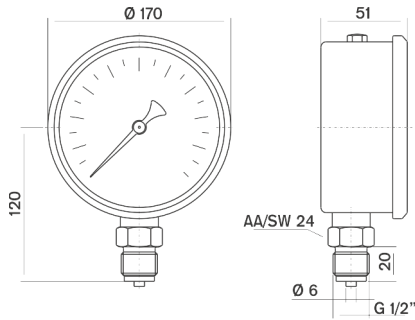


MH160GRS1
Bottom Connection



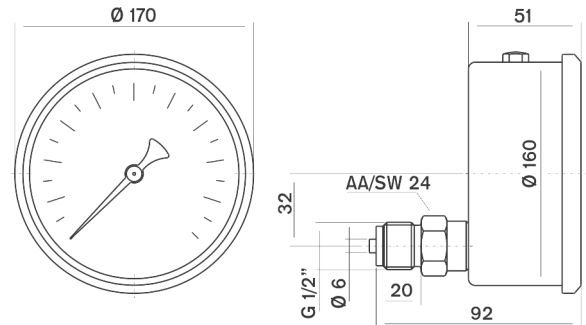
MH160GLS1

Pressure Gauges / Liquid Filled Pressure Gauges / CL. 1.0 / Ø 160 mm



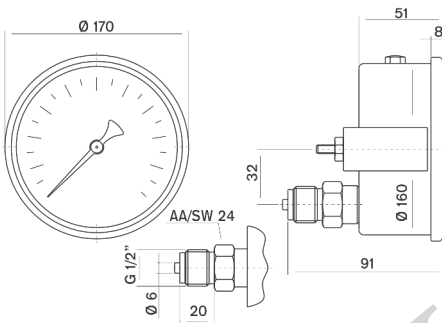
Model No: MH160GRS1 / MH160GLS1

Bottom Connection



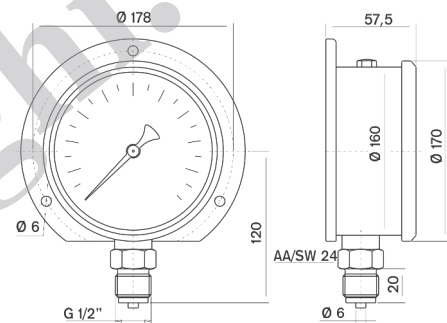
Model No: MH160GRS4 / MH160GLS4

Lower Back Connection



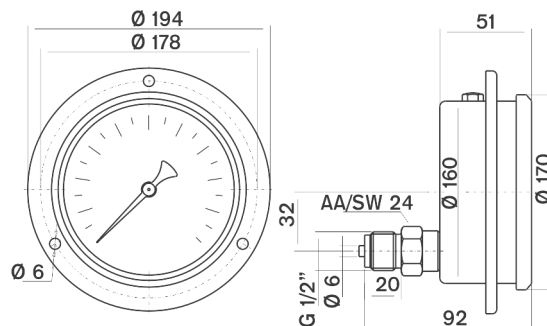
Model No: MH160GRS5 / MH160GLS5

Lower Back Panel Mount Connection



Model No: MH160GRS6 / MH160GLS6

Bottom Connection with Back Flange



Model No: MH160GRS8 / MH160GLS8

Lower Back Connection with Front Flange